



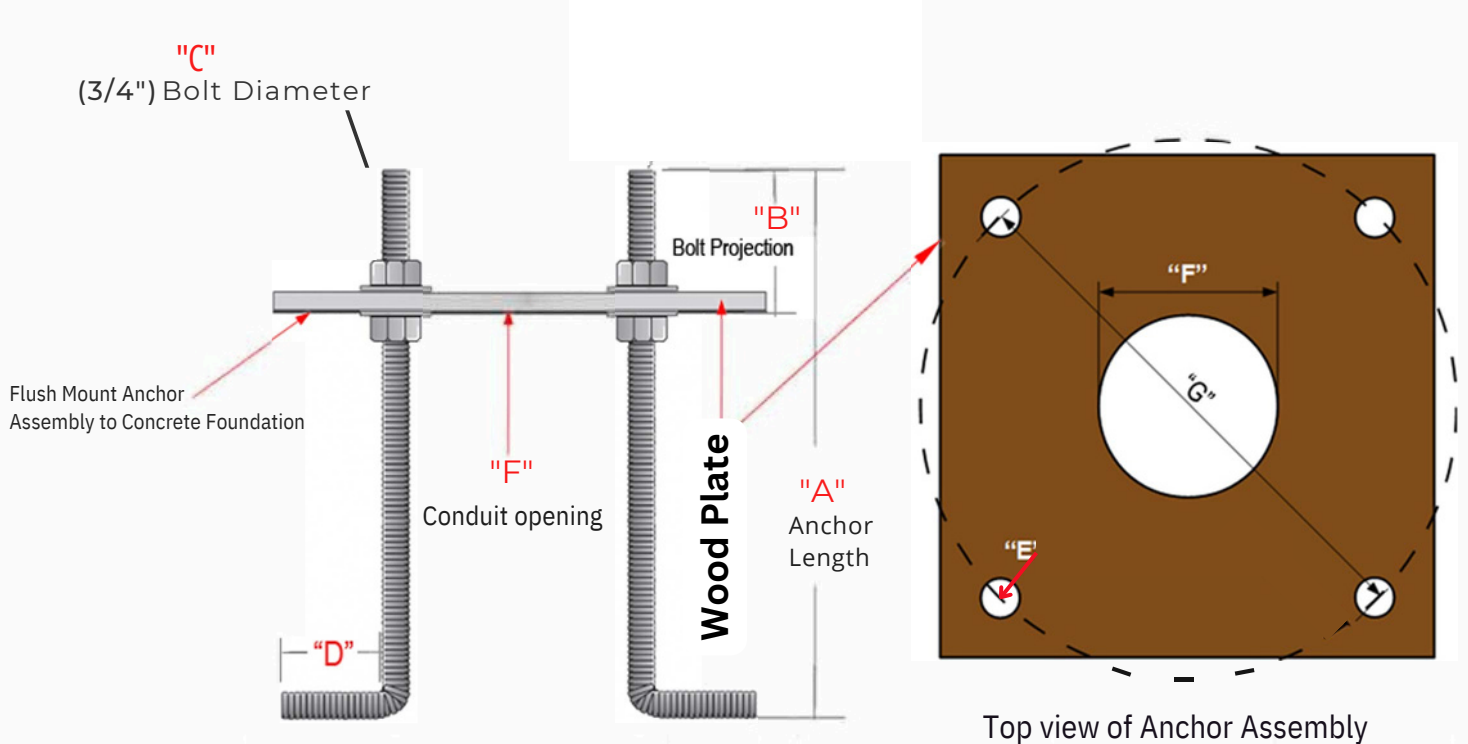
SteadyMax 12/16 Anchor Basket Assembly

Strong Poles' pre-engineered Anchor Baskets makes installations much faster, and alignment much easier. Simply push the Anchor Basket down into the wet concrete until the template is flush with the top of the concrete, and be sure that the conduit rises well above the hole in the template. Then before the concrete is cured, Remove the template and make sure foundation is level and smooth to mount the pole.

Strong Poles pre-sets each lug to the perfect height for mounting (so the lugs do not sit up too high to get the base cover in place correctly.)

Each Anchor Basket has been preset to have a projection of the bolts above the concrete at the perfect height to allow the finish caps to fit onto the pole base.

NOTE: Please do not use a twin nut leveling system, (commonly found on light poles). Our Poles must be fastened directly to the concrete. Then before the concrete is cured, Remove the template and make sure foundation is level and smooth to mount the pole



POLE SIZE	STRONGFORM	ANCHOR ASSEMBLY PART	"A" ANCHOR LENGTH	"B" BOLT PROJECTION	"C" BOLT DIAMETER	"D" ANCHOR LENGTH	"E" HOLE DIAMETER	"F" CONDUIT SIZE	"G" BCD
SteadyMax SP-SM12	StrongForm-18-5	Included	30"	2-1/2"	3/4"-10	3"	13/16"	Max OD 4"	9.5"
SteadyMax SP-SM16	StrongForm-18-5	Included	30"	2-1/2"	3/4"-10	3"	13/16"	Max OD 4"	9.5"